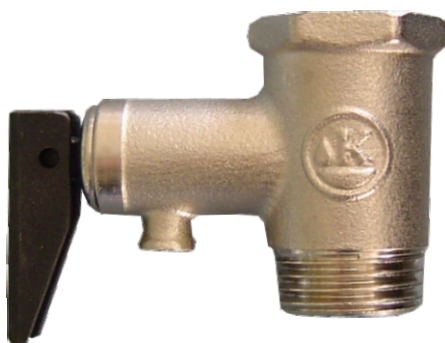


Ventil sigurnosti

Safety valve



Sigurnosni ventil tip R

Safety valve type R



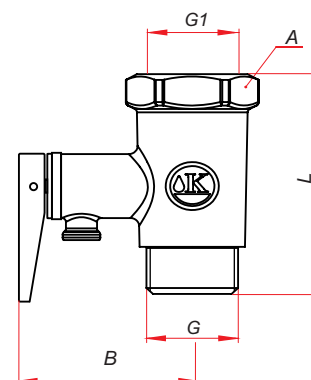
Šifra proizvoda Code	Veličina Size	Pakovanje Pack	Težina [kg] Weight
25.12.06.0.000.Ni	1/2"	100	0,072
25.12.06.0.000.Cr	1/2"	100	0,072
Materijal / Material: CW 617N EN12165 , CW 614N EN12164 Površinska zaštita / Surface treatment: Ni - Niklovan / nickel plated Cr - Hromiran / chrome plated			

Dimenzije / Dimensions

Sigurnosni ventil

Safety valve

Šifra Code	Veličina Size	G ["]	G1 ["]	L [mm]	A [mm]	B [mm]
25.12.06.0.000.Ni	1/2"	1/2"	1/2"	40	OK 25	47
25.12.06.0.000.Cr	1/2"	1/2"	1/2"	40	OK 25	47



Instalacija ventila sigurnosti / Mounting at safety valve

